

---

**MR. SOHO**  
**WALL TYPE CABINET**

---



MR. SOHO cabinets are simple, **small sized** wall type **network** installation solutions with low cost, aesthetic appearance and robust structure.



## AESTHETIC VIEW

It accords with the environment it is applied by the aesthetic and **decorative** appearance.

Front glass door is **4mm**, smoke-colored, antistatic, smoothed, tempered and has a high resistance against fracture. It presents full length and locked structure.

## ERGONOMICS

Opening direction of the front door with cylindrical **barrel** locking may be easily changed.

Glass door module owns a special **u type thread hinge** system.

## WRAPPING OPTIONS

Might be delivered **mounted** or **dismounted**.

## DIVERSE WIDTH AND DEPTH OPTIONS

MR. SOHO Cabinets offer two different width, **19"** and **10"**, and 2 different depth, **400mm** and **300mm** options.



### STANDARDS AND COMPLIANCES

ISO9001:2008 Quality Management System

IEC 297-1, 19" mounting standard

IEC 297-2, Overall cabinet dimensions

TS EN 61587-1 Standard.

Environment Friendly

%100 recyclable.



## FIELD OF USE

Offices (home, work), Departments (banks, government departments), Schools, Hospitals, Factories.

## INTENDED USE

Assembly and installation of small systems.  
Intermediary distribution frame  
Network floor distributions  
Wall type network installation applications.

## REASON FOR PREFERENCE

They are low cost network solutions. They are readily present in adequate amounts at stocks.



## ACTIVE/PASSIVE VENTILATION OPTIONS

By attaching ventilation module with 2 fans maximum to 2 ventilation holes at the upper chassis of the 19" cabinets, active ventilation is achieved. In cases where no fan module is attached, these holes enable ventilation of the cabinet by passive ventilation.

## ALTERNATIVE CABLE INLETS

A cable entry hole is provided on each of the upper and lower chassis for cable inlets. One of these holes houses a cable passage brush whereas the other houses a PCV lid. Cable passage brush may be displaced and cable inlet is enabled wherever desired and dust inlet is minimized during entrance of the cables thanks to the brushed structure.



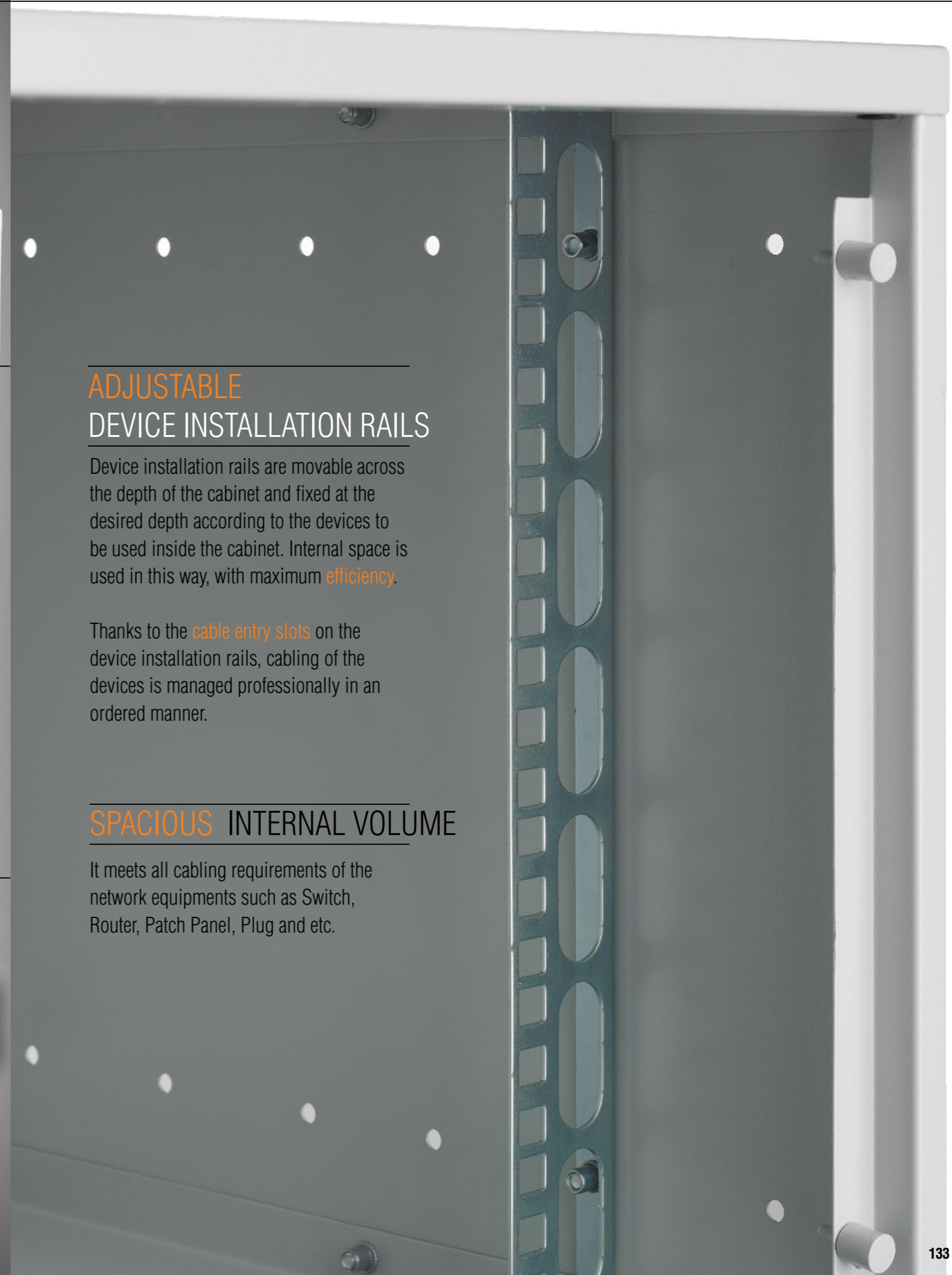
## ADJUSTABLE DEVICE INSTALLATION RAILS

Device installation rails are movable across the depth of the cabinet and fixed at the desired depth according to the devices to be used inside the cabinet. Internal space is used in this way, with maximum efficiency.

Thanks to the cable entry slots on the device installation rails, cabling of the devices is managed professionally in an ordered manner.

## SPACIOUS INTERNAL VOLUME

It meets all cabling requirements of the network equipments such as Switch, Router, Patch Panel, Plug and etc.



## MODULAR STRUCTURE

All demounted SOHO cabinets are wrapped as one-piece, demounted and pursuing safety of the transportation.

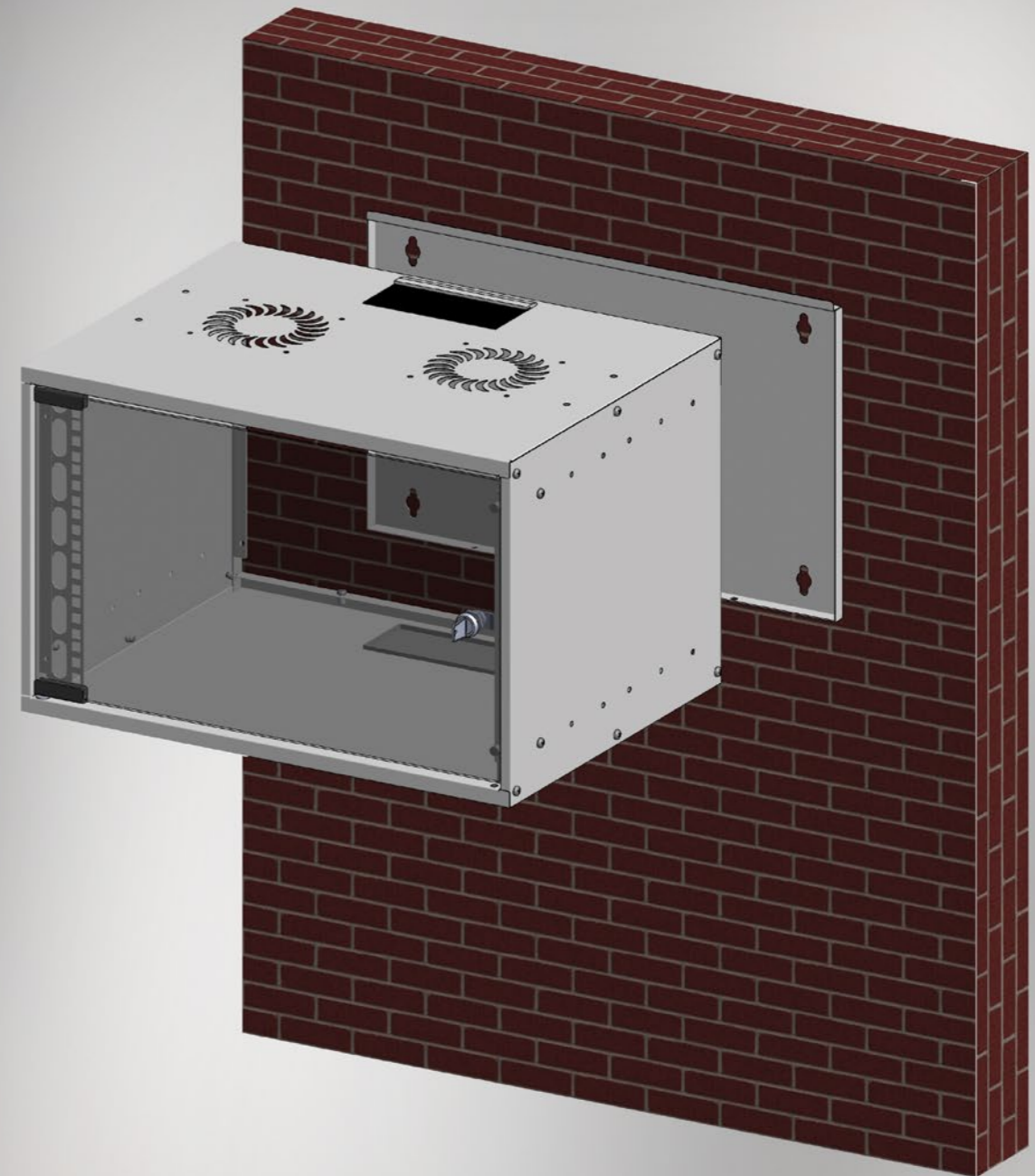


### DEMOUNTED DELIVERY ADVANTAGE

Demounted wrapping option provides savings in dispatch and stocking costs.

### DEMOUNTED COST ADVANTAGE

Demounted wrapping option saves space by 75% in dispatch and stocking thereby providing cost advantage by 75%.



### INSTALLATION ON TABLE

Owing to the easily mountable design of the wall type cabinet, installation of the cabinet may be easily achieved on the floor or on the table. Installation technicians carry out the work in a comfortable manner.

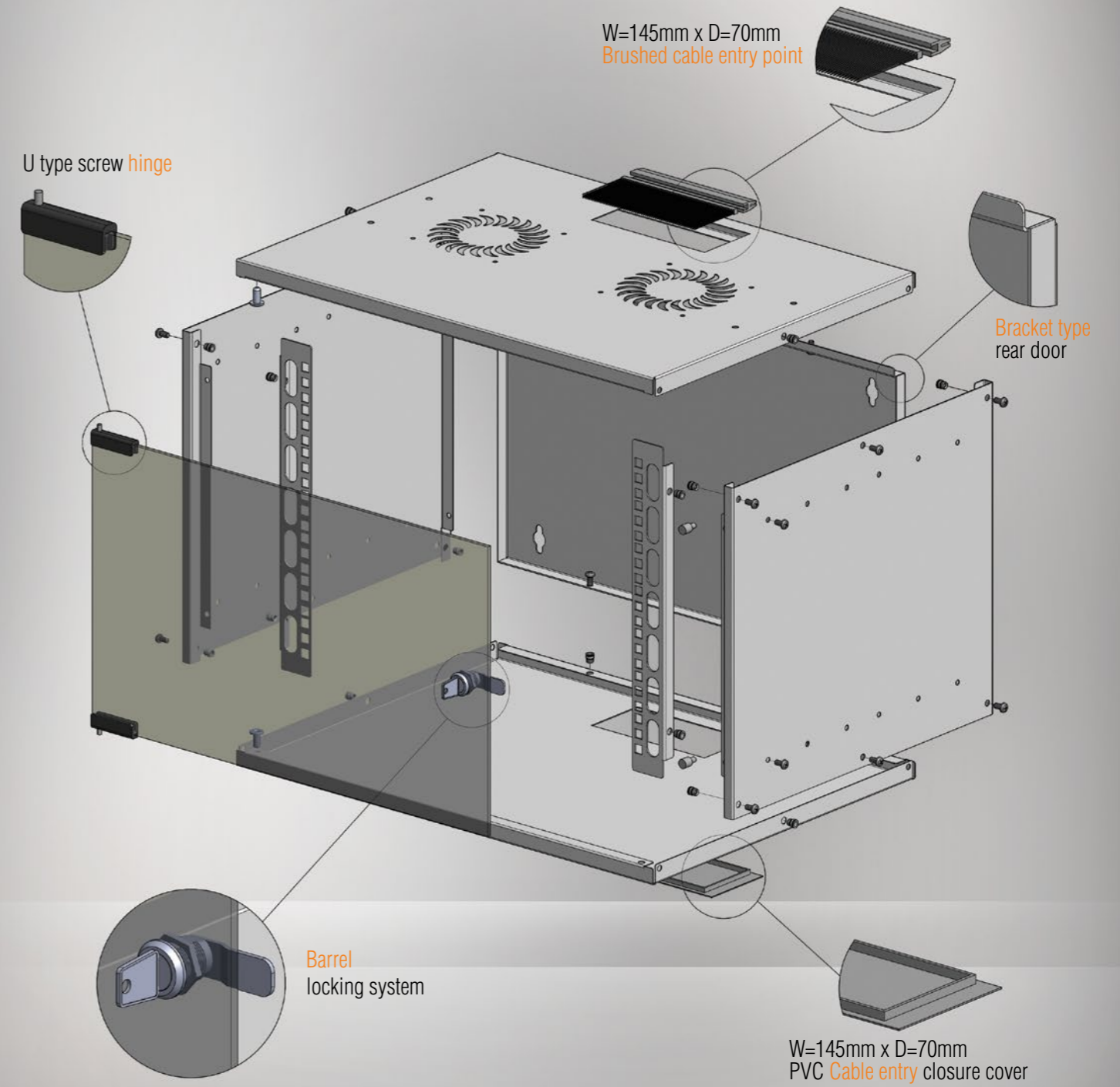
Cabinet may be hanged onto the wall by hooking onto the rear door previously mounted on the wall, after completion of the inner installation. One technician is sufficient for mounting onto the wall within a short period, thanks to its easily installable structure.

# MR. SOHO 19" WALL TYPE CABINET

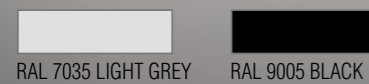
WIDTH W: 535mm  
DEPTH D: 300/400mm

## EXPLODED VIEW

WIDTH W: 535mm  
DEPTH D: 300/400mm



### COLOR OPTIONS

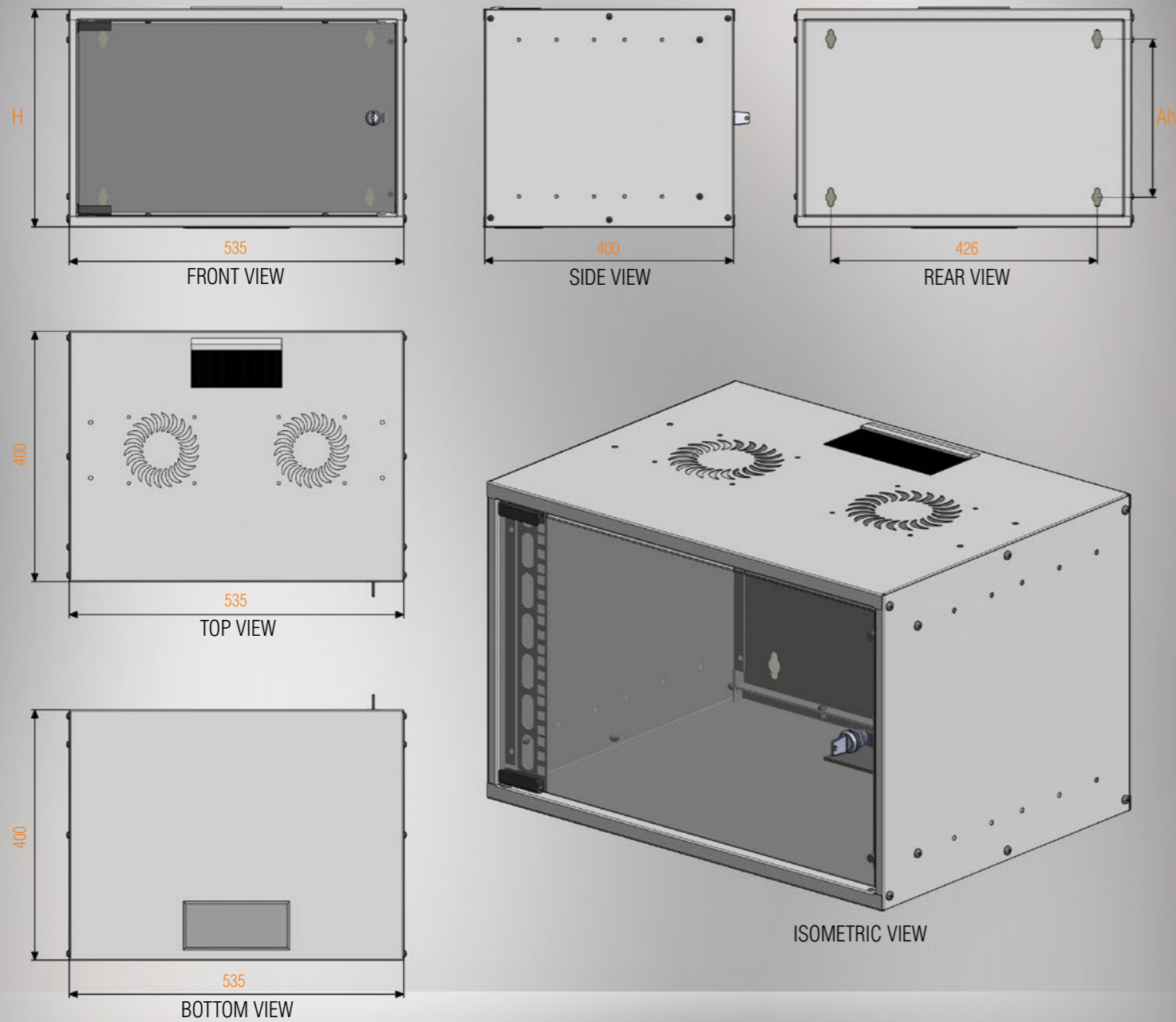


LOADING CAPACITY : 80kg

## CONSTRUCTION DRAWINGS

WIDTH W: 535mm

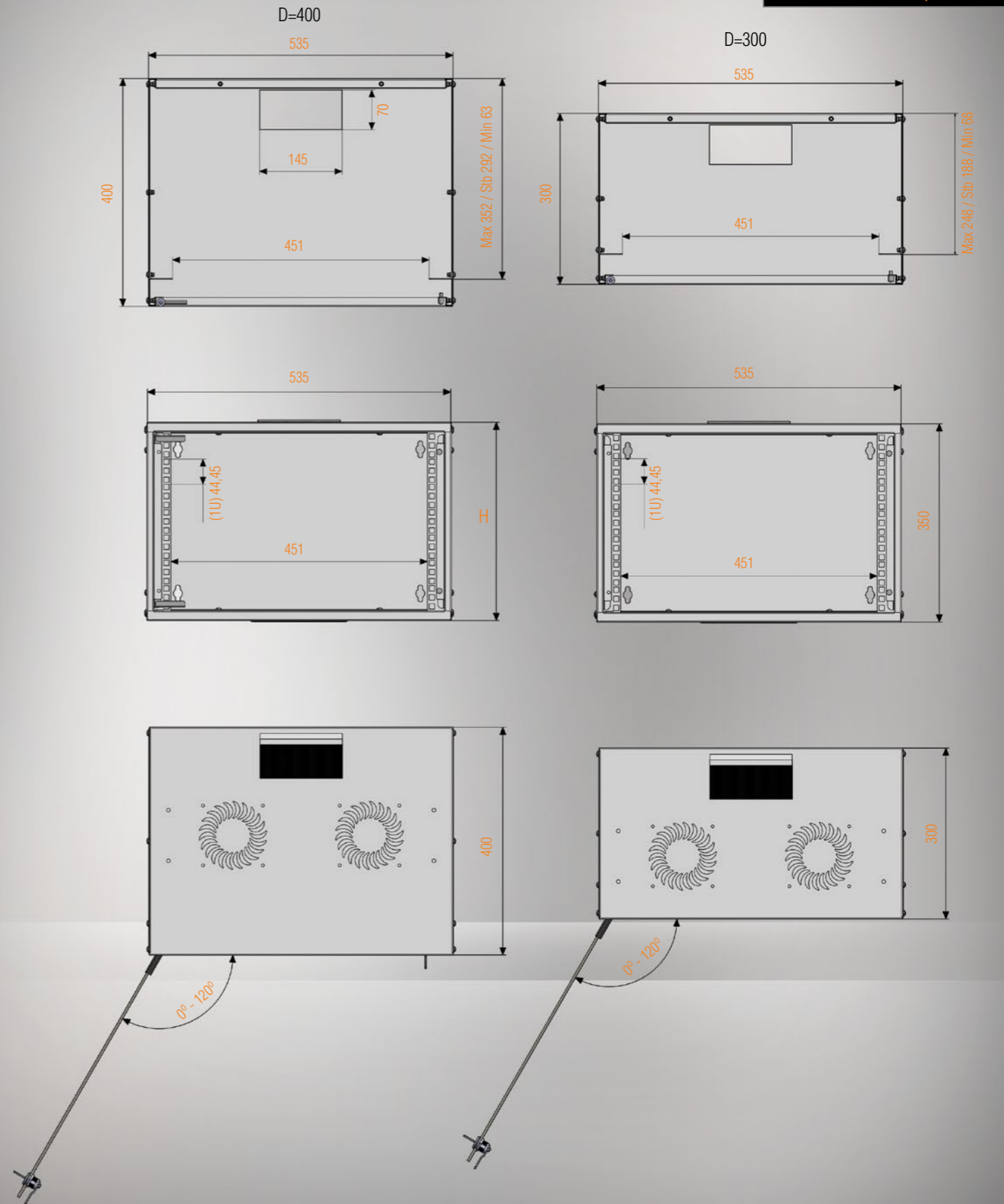
DEPTH D: 300/400mm



## CONSTRUCTION DRAWINGS

WIDTH W: 535mm

DEPTH D: 300/400mm



## MR. SOHO 19" WALL TYPE CABINETS W=535mm D=300mm / 400mm

Product Code	Product Description	Measurement (U)	Product Dimensions WxDxH (mm)	Width Between Rails	AH Wall Mounting Hole Gaps (mm)	Measurement (mm)	Package Dimensions WxDxH (mm)	Number in the Package (pcs)	Product Net Weight (kg)	Product Gross Weight (kg)	Number on the Pallet (pcs)	Pallet Dimensions WxDxH (mm)	Pallet Weight (kg)	Depth: Between Rail and Rear Panel (mm)
MR.SOH07U30DE:XX	7U W=535mm D=300mm Unassembled SOHO	7U	535x300x350	19"	253	314	580x440x85	1	8,5	9,5	60	1000x1200x1550	605	245
MR.SOH07U40DE:XX	7U W=535mm D=400mm Unassembled SOHO	7U	535x400x350	19"	253	314	580x440x85	1	9,5	10,5	60	1000x1200x1550	665	290
MR.SOH09U40DE:XX	9U W=535mm D=400mm Unassembled SOHO	9U	535x400x440	19"	342	403	580x455x105	1	11,2	12,2	60	1000x1200x1850	770	290
MR.SOH12U40DE:XX	12U W=535mm D=400mm Unassembled SOHO	12U	535x400x572	19"	475	536	615x545x105	1	13,6	14,6	60	1150x1250x1850	910	290
MR.SOH07U30MN:XX	7U W=535mm D=300mm Unassembled SOHO	7U	535x300x350	19"	253	314	550x430x400	1	8,5	9,5	20	1000x1200x2270	225	245
MR.SOH07U40MN:XX	7U W=535mm D=400mm Unassembled SOHO	7U	535x400x350	19"	253	314	550x430x400	1	9,5	10,5	20	1000x1200x2270	245	290
MR.SOH09U40MN:XX	9U W=535mm D=400mm Unassembled SOHO	9U	535x400x440	19"	342	403	550x430x450	1	11,2	12,2	16	1000x1200x2070	230	290
MR.SOH12U40MN:XX	12U W=535mm D=400mm Unassembled SOHO	12U	535x400x572	19"	475	536	550x430x630	1	13,6	14,6	12	1000x1200x2150	210	290

XX= Color Code, 02 means Light Grey RAL 7035 and 01 means Black RAL 9005, the code is added by the customer at the order.

# MR.SOHO MOST USED ACCESSORIES

## RACK MOUNT SHELVES

		MR.SOHO CABINETS	
Product Code	Product Description	MR. SOHO 535x300	MR. SOHO 535x400
MR.RAK1U20.XX	1U D=200mm Rack Mount Shelf	•	•
MR.RAK1U25.XX	1U D=250mm Rack Mount Shelf		•
MR.RAK1U30.XX	1U D=300mm Rack Mount Shelf		•

XX= Color Code, 02 means Light Grey RAL 7035 and 01 means Black RAL 9005, the code is added by the customer at the order.

COLOR OPTIONS  
 RAL 7035 LIGHT GREY  RAL 9005 BLACK

## 1U 19" HOOK ORGANIZER

		MR.SOHO CABINETS	
Product Code	Product Description	MR. SOHO 535x300	MR. SOHO 535x400
MR.OKP1U19.XX	1U 19" cable organizer panel with 5 hooks	•	•

XX= Color Code, 02 means Light Grey RAL 7035 and 01 means Black RAL 9005, the code is added by the customer at the order.

COLOR OPTIONS  
 RAL 7035 LIGHT GREY  RAL 9005 BLACK

## 19" FAN MODULES

		MR.SOHO CABINETS	
Product Code	Product Description	MR. SOHO 535x300	MR. SOHO 535x400
MR.FAN1ONXX	1fan, on/off controlled fan module	•	•
MR.FAN1WDX	1fan, built-in thermostat controlled fan module	•	•
MR.FAN2ONXX	2fans, on/off controlled fan module	•	•
MR.FAN2WDX	2fans, built-in thermostat controlled fan module	•	•

XX= Color Code, 02 means Light Grey RAL 7035 and 01 means Black RAL 9005, the code is added by the customer at the order.

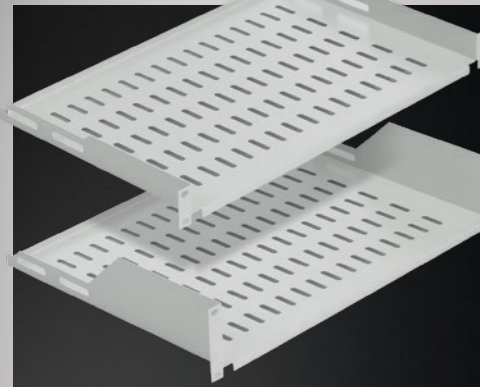
COLOR OPTIONS  
 RAL 7035 LIGHT GREY  RAL 9005 BLACK

## PLUG MODULES

		MR.SOHO CABINETS	
Product Code	Product Description	MR. SOHO 535x300	MR. SOHO 535x400
MR.PRZ1U6S.SC	1U 19" 6 sockets plug with fuse	•	•

## FIXING HARDWARE

		MR.SOHO CABINETS	
Product Code	Product Description	MR. SOHO 535x300	MR. SOHO 535x400
MR.KFS20	M6 cage nut set and mounting screws, 1set=20pcs.	•	•



# MR. SOHO 10" WALL TYPE CABINET

WIDTH W: 306mm

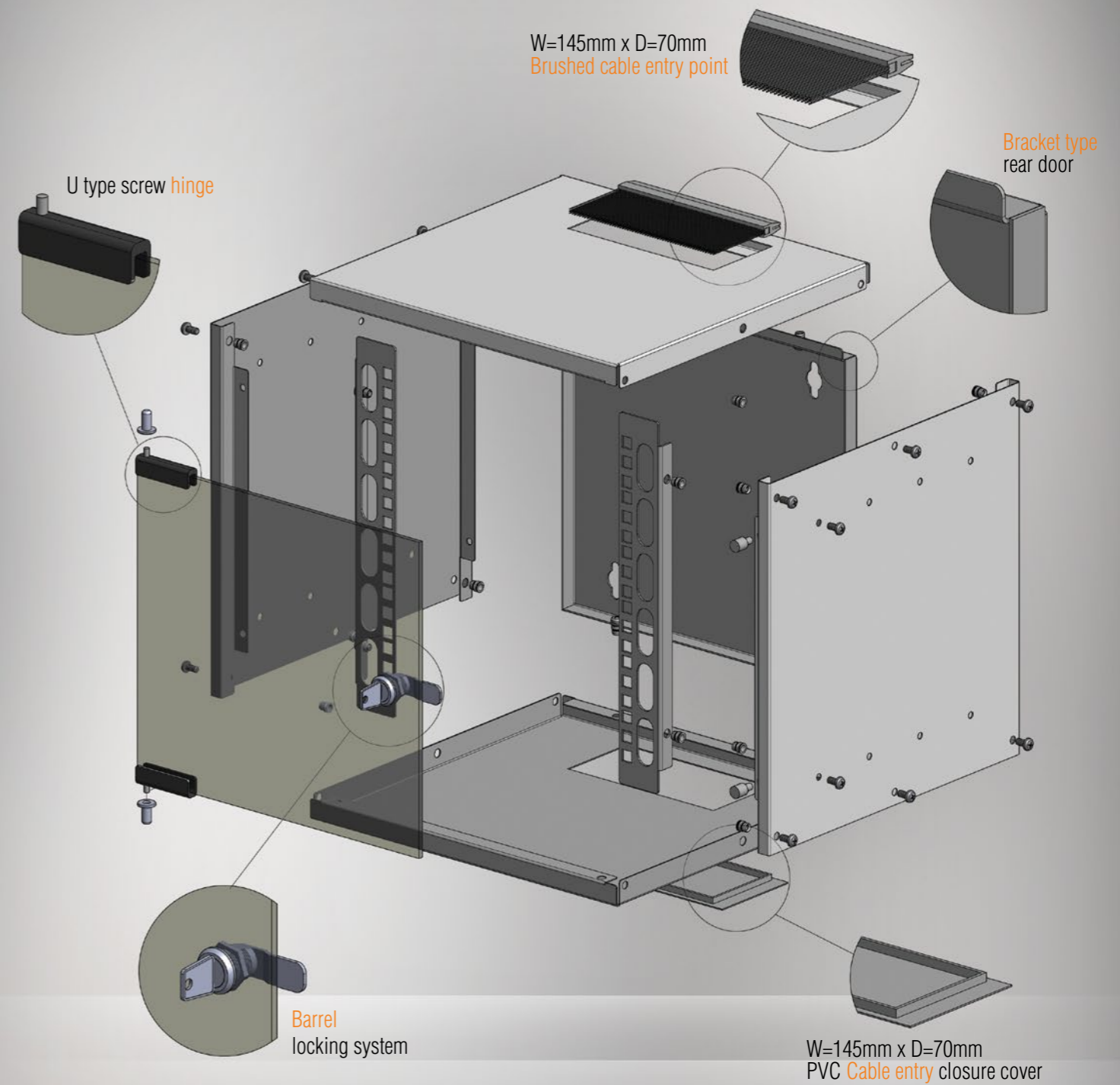
DEPTH D: 300mm



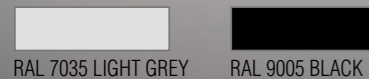
## EXPLODED VIEW

WIDTH W: 306mm

DEPTH D: 300mm



### COLOR OPTIONS



LOADING CAPACITY : 30kg

### MR. SOHO 10" WALL TYPE CABINETS W=312mm D=300mm

Product Code	Product Description	U Measurement (mm)	Product Dimensions WxDxH (mm)	Width: Between Rails (mm)	U Measurement (mm)	Package Dimensions WxDxH (mm)	Number in the Package (pcs)	Product Gross Weight (kg)	Product Net Weight (kg)	Number on the Pallet (pcs)	Pallet Dimensions WxDxH (mm)	Pallet Weight (kg)	Depth: Between Rail and Rear Panel (mm)
MR.SOH06U300EXX	6U W=312mm D=300mm Unassembled SOHO	6U	306x300x305	10"	270	345x315x90	1	4,8	5,4	135	1200x1000x1620	765	245
MR.SOH06U300MXX	6U W=312mm D=300mm Assembled SOHO	6U	306x300x305	10"	270	325x315x350	1	4,8	5,4	45	1200x1000x2020	280	245

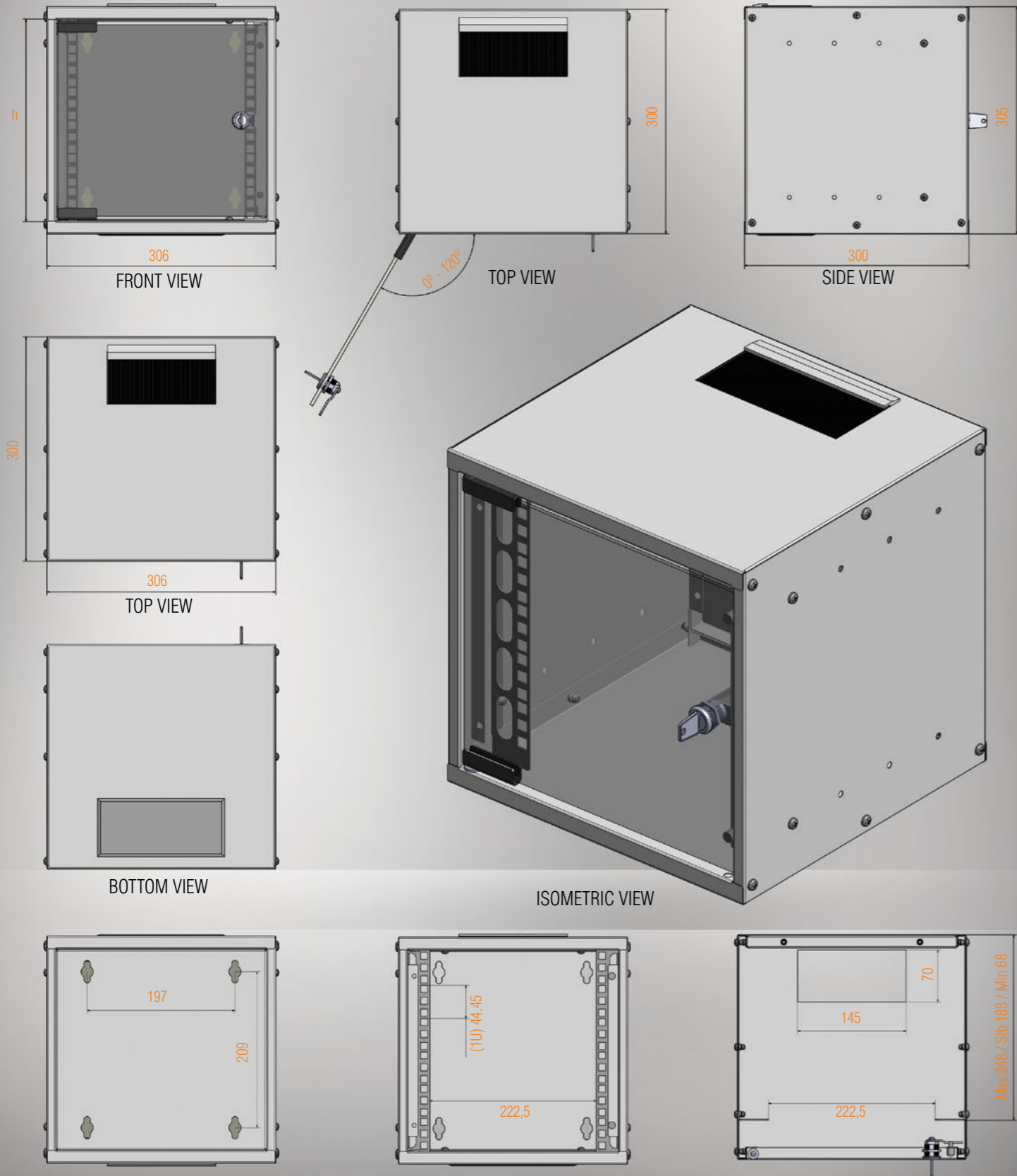
XX= Color Code, 02 means Light Grey RAL 7035 and 01 means Black RAL 9005, the code is added by the customer at the order.



## CONSTRUCTION DRAWINGS

WIDTH **W:** 306mm

DEPTH **D:** 300mm



## MOST USED ACCESSORIES

### 8 PORT PATCH PANEL

Product Code	Product Description	Product Dimensions WxDxH (mm)	Package Dimensions WxDxH (mm)	Product Net Weight (kg)	Product Gross Weight (kg)	Number in the Package (pcs)	Box Dimensions WxDxH (mm)	Box Gross Weight (kg)
MR.10P8P1U.01	1U 10" patch panel, empty RJ45 compatible	254x12x44	265x20x50	0,27	0,31	66	560x425x122	21,5

This is a 8 pcs. of RJ45 compatible empty patch panel with 1U height and 10" depth.

COLOR OPTIONS  
 RAL 7035 LIGHT GREY  RAL 9005 BLACK

### 1U D=150 SHELF

Yük taşıma kapasitesi: 5kg

Product Code	Product Description	Product Dimensions WxDxH (mm)	Package Dimensions WxDxH (mm)	Product Net Weight (kg)	Product Gross Weight (kg)	Number in the Package (pcs)	Box Dimensions WxDxH (mm)	Box Gross Weight (kg)
MR.RAK1U15.XX	1U 10" D=150mm shelf module	254x150x44	270x165x50	0,37	0,45	32	545x425x400	15,5

This is the cabinet shelf made of metal with 1U height and 10" depth with ventilation slots, and is used to carry small network devices such as modems.

COLOR OPTIONS  
 RAL 7035 LIGHT GREY  RAL 9005 BLACK

### 1U BLANK PANEL

Product Code	Product Description	Product Dimensions WxDxH (mm)	Package Dimensions WxDxH (mm)	Product Net Weight (kg)	Product Gross Weight (kg)	Number in the Package (pcs)	Box Dimensions WxDxH (mm)	Box Gross Weight (kg)
MR.10PK1U10.XX	1U 10" screw type blank panel	254x12x44	265x20x50	0,31	0,35	66	560x425x122	24

This is the solid surface blank panel with 1U height and 10" depth which is used to cover the empty or spare U sections and to provide a good appearance.

COLOR OPTIONS  
 RAL 7035 LIGHT GREY  RAL 9005 BLACK

### ORGANIZER WITH 3 HOOKS

Product Code	Product Description	Product Dimensions WxDxH (mm)	Package Dimensions WxDxH (mm)	Product Net Weight (kg)	Product Gross Weight (kg)	Number in the Package (pcs)	Box Dimensions WxDxH (mm)	Box Gross Weight (kg)
MR.OKP1U10.XX	1U 10" cable management panel, 3 pcs. Hook	254x42x44	260x50x50	0,21	0,25	64	545x425x400	17,5

This is the horizontal cable organizer made of metal with 1U height and 10" depth having 3 pcs. of 44x30 mm hooks on.

COLOR OPTIONS  
 RAL 7035 LIGHT GREY  RAL 9005 BLACK

### 1/2U BRUSHED ORGANIZER

Product Code	Product Description	Product Dimensions WxDxH (mm)	Package Dimensions WxDxH (mm)	Product Net Weight (kg)	Product Gross Weight (kg)	Number in the Package (pcs)	Box Dimensions WxDxH (mm)	Box Gross Weight (kg)
MR.OFBYU10.XX	1/2U 19" simple type, brushed cable organizer panel, patchcord entry hole	254x12x22	265x20x50	0,07	0,11	66	560x425x122	8,5

This is the cable organizer made of metal with (1/2)U height, 10" depth with a cable entry hole.

COLOR OPTIONS  
 RAL 7035 LIGHT GREY  RAL 9005 BLACK

### 3 PLUGS GROUP SOCKET MODULE

Product Code	Product Description	Product Dimensions WxDxH (mm)	Package Dimensions WxDxH (mm)	Product Net Weight (kg)	Product Gross Weight (kg)	Number in the Package (pcs)	Box Dimensions WxDxH (mm)	Box Gross Weight (kg)
MR.10PRZ1U30.SCXX	1U 10" mounting base, 3 plugs PVC group socket module, on/off switch	254x100x44	270x165x50	0,6	0,7	14	560x425x122	11

This is 3 Sockets PVC Plug module with a mounting base made of metal with 1U height and 10" depth.

COLOR OPTIONS  
 RAL 7035 LIGHT GREY  RAL 9005 BLACK

